



UVI Hajduk Chair

Assembly Guide




Assembly Guides in other languages are available at:
[UVI.gg/ag](https://uvi.gg/ag) or via the QR code!



1


UVI Hajduk Chair

EN  Read the entire instruction manual before you start installation and assembly. If you have any questions regarding any of the instructions or warnings, please contact your local distributor for assistance.



- CAUTION:** Use with products heavier than the rated weights indicated may result in instability causing possible injury.
- Please closely follow the assembly instructions. Improper installation may result in damage or serious personal injury.
 - Safety gear and proper tools must be used. This product should only be installed by professionals.
 - Make sure that the supporting surface will safely support the combined weight of the equipment and all attached hardware and components.
 - Use the mounting screws provided and **DO NOT OVER TIGHTEN** mounting screws.
 - This product contains small items that could be a choking hazard if swallowed. Keep these items away from children.
 - This product is intended for indoor use only. Using this product outdoors could lead to product failure and personal injury.


IMPORTANT: Ensure that you have received all parts according to the component checklist prior to installation. If any parts are missing or faulty, contact your place of purchase for a replacement.

SLO  Pred sestavo in montažo preberite celotni vodič za sestavo. Če imate kakršnakoli vprašanja glede navodil ali opozoril, prosimo da kontaktirate vašega lokalnega distributerja za pomoč.



- PREVIDNO:** Uporaba izdelka z večjimi težami kot so predpisane lahko povzročijo nestabilnost in resne telesne poškodbe.
- Nosilci morajo biti pritrjeni kot je navedeno v navodilih za sestavo. Nepravilna montaža lahko povzroči škodo ali resno telesno poškodbo.
 - Uporabljen mora biti varnostna zaščita in pravilna orodja. Ta izdelek lahko namesti samo profesionalno osebje.
 - Prepričajte se, da bo podporna površina prenesla vso težo opreme in vso povezano strojno opremo in druge komponente.
 - Uporabite nosilne vijake, ki so že v paketu in vijake **NE PRIVIJTE PREVEČ**.
 - Izdelek vsebuje majhne predmete, ki lahko predstavljajo nevarnost zadušitve. Držite te predmete stran od otrok.
 - Izdelek je namenjen samo notranji uporabi. Uporaba izdelka zunaj lahko privede do kvarjenja izdelka ali do telesne poškodbe.

POMEMBNO: Prepričajte se, da ste v paketu prejeli vse dele glede na kontrolni seznam predmetov. Če kakšni deli manjkajo ali pa so poškodovani, stopite v stik z vašim lokalnim distributerjem za zamenjavo.

HR  Prije montaže pročitajte cjeloviti vodič za montažu. Ako imate bilo kakvih pitanja u vezi s uputama ili upozorenjima se za pomoć obratite lokalnom distributeru.



- OPREZ:** Korištenje proizvoda većim od propisane težine može uzrokovati nestabilnost i ozbiljne ozljede.
- Nosaji moraju biti učvršćeni kako je naznačeno u uputama za montažu. Nepravilna montaža može uzrokovati oštećenja ili ozbiljne ozljede.
 - Mora se koristiti sigurnosna zaštita i pravi alati. Ovaj proizvod smije instalirati samo profesionalno osoblje.
 - Osigurajte da će noseća površina nositi svu težinu upreme i vsa hardver i ostale komponente.
 - Upotrijebite pričvršne vijke koji su već u pakiranju i vijke **NE PRITEGNITE PREVIŠE**.
 - Proizvod sadrži male predmete koji mogu predstavljati opasnost od gušenja. Držite te predmete dalje od djece.
 - Ovaj je proizvod namijenjen samo za internu upotrebu. Korištenje proizvoda izvana može dovesti do oštećenja proizvoda ili ozljede.


VAŽNO: Provjerite jesu li svi predmeti u pakiranju prema popisu predmeta. Ako neki dijelovi nedostaju ili su oštećeni, obratite se lokalnom distributeru za zamjenu.

DE  Bitte vor Beginn der Montage und Zusammenbau das ganze Hnadbuch durchlesen. Bitte sich mit dem Händler vor Ort bei Fragen zur Anleitung oder Warnungen in Verbindung setzen.



- VORSICHT:** Bei Verwendung mit Produkten, die das zulässige Gewicht überschreiten, können Schäden oder möglicherweise Verletzungen die Folge sein.
- Halterungen sollen entsprechend den Montageanweisungen angebracht werden. Eine unsachgemäße Montage kann Schäden oder Verletzungen zur Folge haben.
 - Sicherheitsausrüstung und geeignete Werkzeuge verwenden. Die Montage des Produktes sollte nur von fachleuten durchgeführt werden.
 - Die tragenden Oberflächen sollten das gesamte Gewicht von Geräten und allen zusätzlichen Bauteilen sicher aushalten können.
 - Nur die mitgelieferten Einbauschrauben verwenden und die Schrauben **NICHT ZU FEST ANZIEHEN**.
 - Dieses Produkt enthält Kleinteile, die Erstickungsgefahr beim Verschlucken hervorrufen können. Diese Teile von Kindern fernhalten.
 - Dieses Produkt nur in Innenräumen verwenden. Verwendung des Produktes im Außenbereich kann zu Verletzungen und Schäden führen.

WICHTIG: Vor der Montage bitte alle erhaltenen Bauteile mit der Bauteileliste abgleichen. Bei beschädigten oder fehlenden Teilen den Händler vor Ort nach Ersatzteilen fragen.

FR  Lisez entièrement le guide d'utilisateur avant de commencer l'installation et le montage. Si vous avez des questions concernant les instructions ou les avertissements, veuillez contacter votre distributeur local pour une assistance.



- ATTENTION:** L'utilisation de produits plus lourds que les poids nominaux indiqués peut entraîner une instabilité causant des blessures potentielles.
- Les supports doivent être joints comme spécifié dans les instructions de montage. Une mauvaise installation peut entraîner des dommages ou de graves blessures aux personnes.
 - Un équipement de sécurité et les outils appropriés doivent être utilisés. Ce produit devrait être installé uniquement par des professionnels.
 - Assurez-vous que la surface de soutien supporte en sécurité le poids combiné de l'équipement et de tous les matériaux et composants associés.
 - Utilisez les vis de montage fournies et **NE SERREZ PAS TROP** les vis de montage.
 - Ce produit contient de petites pièces qui peuvent causer un étouffement si elles sont avalées. Eloignez ces pièces des enfants.
 - Ce produit est prévu uniquement pour une utilisation à l'intérieur. L'utilisation de ce produit à l'extérieur peut entraîner une défaillance du produit ou des blessures aux personnes.

IMPORTANT: Avant l'installation, assurez-vous que vous avez reçu toutes les pièces selon la liste de vérification des composants. Si une pièce est manquante ou endommagée, téléphonez à votre distributeur local pour qu'il la remplace.

2

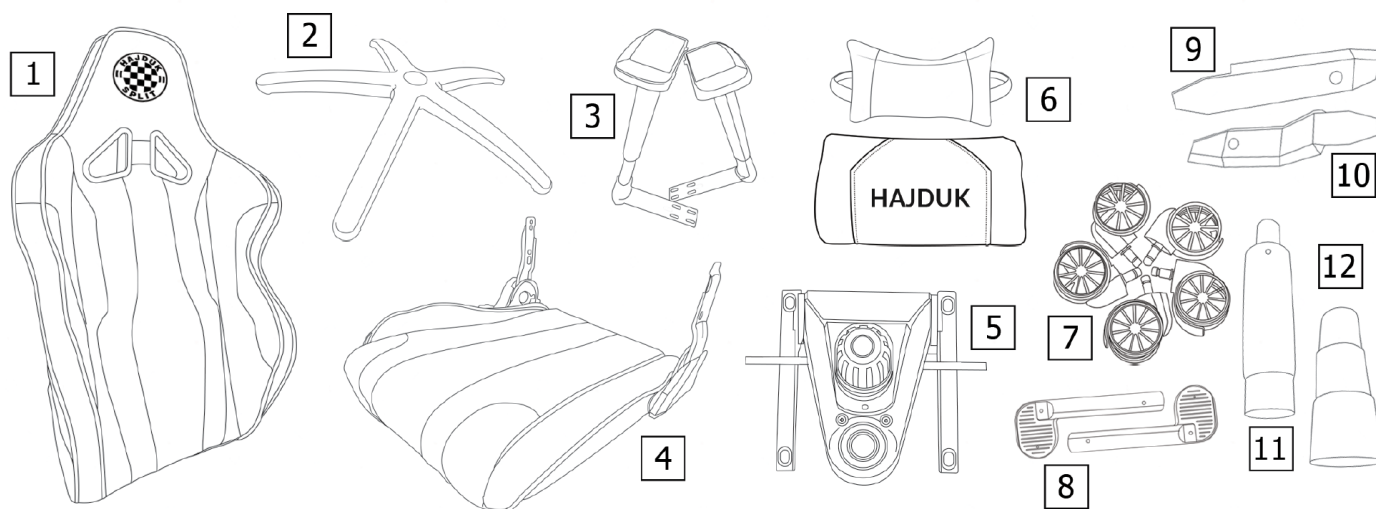
UVI Hajduk Chair

This assembly guide is meant for UVI Hajduk Chair model. If you have a different model please check out the right guide!

ATTENTION:

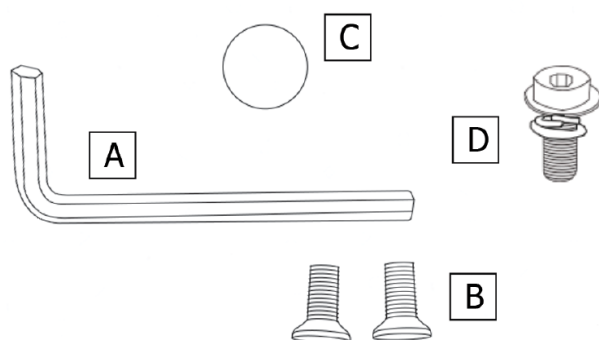
1. For proper assembly of the chair, we ask you to follow the instructions step by step.
2. Before you start the assembly please verify all parts are there.
3. Please refrain from using any other tools for the assembly.
4. Do not use the chair unless all bolts and screws are tight.

MAIN BOX CONTENTS



- | | | |
|--------------------------|------------------------------|------------------------------|
| 1. UVI Hajduk Backrest | 5. Multifunctional Mechanism | 9. Plastic cover left side |
| 2. Five-star chair base | 6. Lumbar and head support | 10. Plastic cover right side |
| 3. 4D Armrests | 7. 5x UVI Rubber Casters | 11. Gaslift CLASS-4 |
| 4. UVI Hajduk Chair seat | 8. Plastic handles | 12. Gaslift plastic cover |

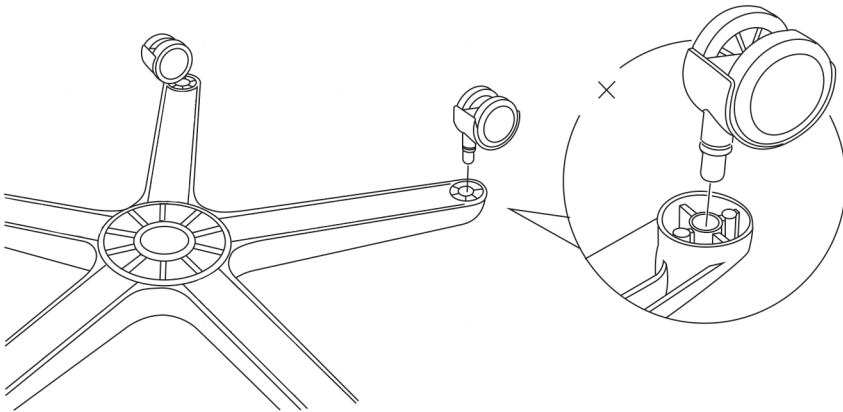
TOOLS AND ASSEMBLY PARTS



- A. Allen wrench
- B. 2x Cover screws M5x10mm
- C. 4x Plastic plugs for the holes
- D. 16x Bolt M8x25

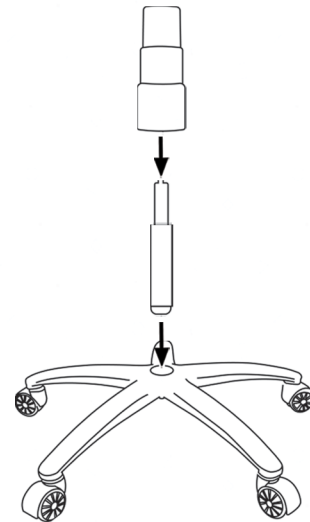
3

UVI Hajduk Chair



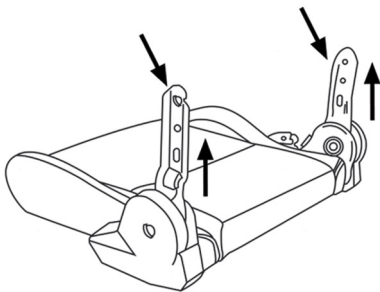
Step 1:

Attach Rubber Casters to 5-star chair base. Make sure that you hear a “click” sound when attaching the wheel.



Step 2:

Insert Gaslift CLASS-4 into 5-star chair base. Once the Gaslift is inside the base put the Gaslift cover plastic over it.

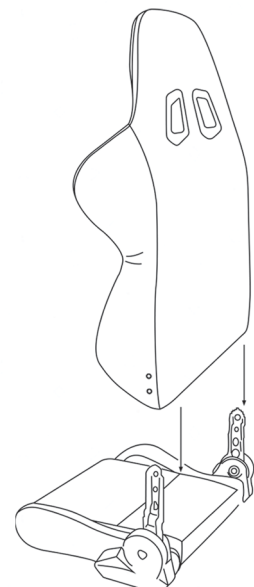


Step 3:

Take chair seat and place it on top of the cardboard to prevent scratches to the surface. After that make sure that the backrest holders are facing upwards as shown in the picture on the left.

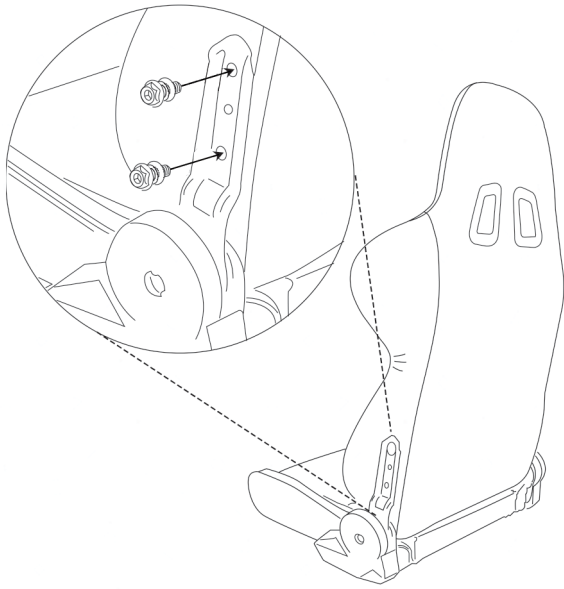
Step 4:

Now attach the backrest onto the seat. It is much easier to attach it if you have an additional person helping you. Put the backrest between the backseat holder like it is shown in the picture.



4

UVI Hajduk Chair

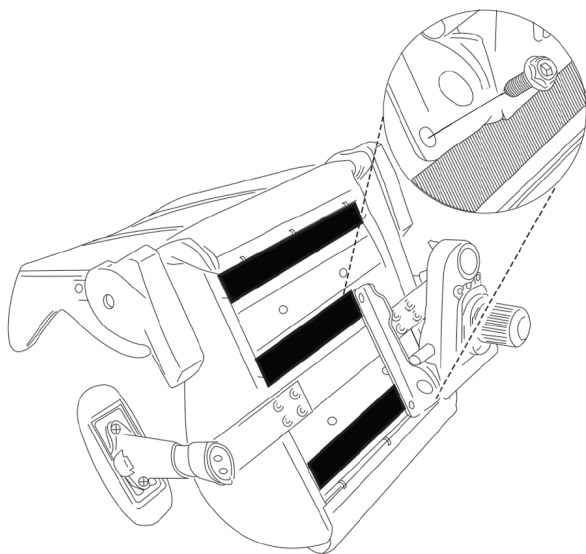
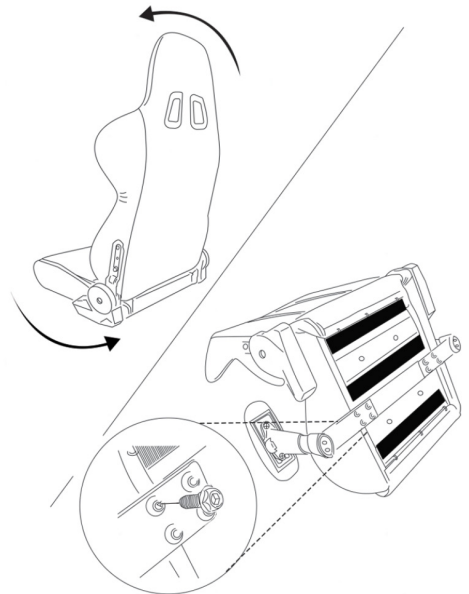


Step 5:

Attach the backrest onto the chair seat as shown in the picture using Bolt M8X25. When attaching the backrest, make sure to first fixate it on the right side. Also, make sure to tighten M8x25 Bolts as much as possible so that the backrest will be stable.

Step 6:

Once the backrest is successfully attached it is time to flip over the chair as shown in the picture. The next step is attaching the 4D armrests. You will need 4x Bolt M8x25 for each of the armrests. Just like before, do not forget to tighten the bolts as much as possible. Fixate the armrests on the bottom of the seat as shown in the picture.

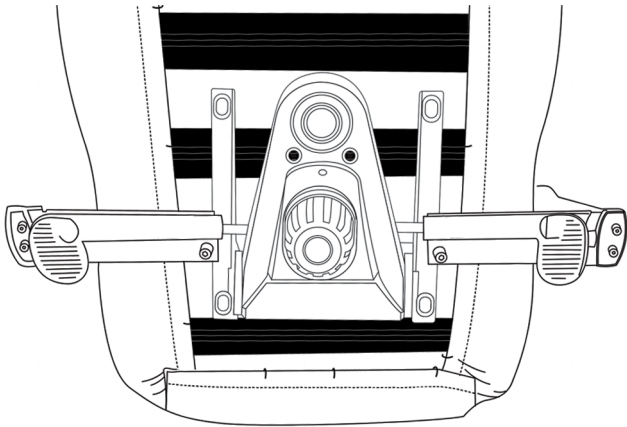


Step 7:

Once you have successfully attached 4D armrests it is time to attach Multi-functional Mechanism to the seat. Make sure that the mechanism is facing forward (to help you navigate there is a sticker "FRONT" on the mechanism). To fixate the mechanism you will need 4x Bolt M8 X25. Once again, do not forget to tighten the bolts as much as possible.

5

UVI Hajduk Chair

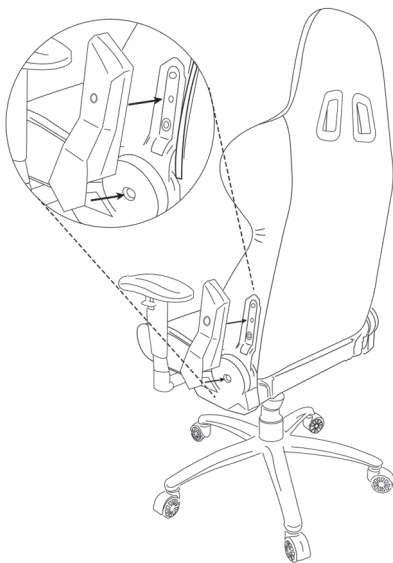
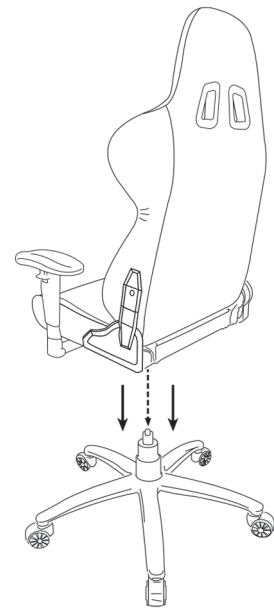


Step 8:

To make sure that you will be able to use Gaslift and Multifunctional mechanism you will need to attach the plastic handles to the mechanism. Make sure that the levers are facing toward the front of the chair.

Step 9:

Flip the chair back over and attach it to the 5-star metal base as shown in the picture. Once you have successfully attached both parts together put some weight on the seat of the chair to check if everything is as it should be.

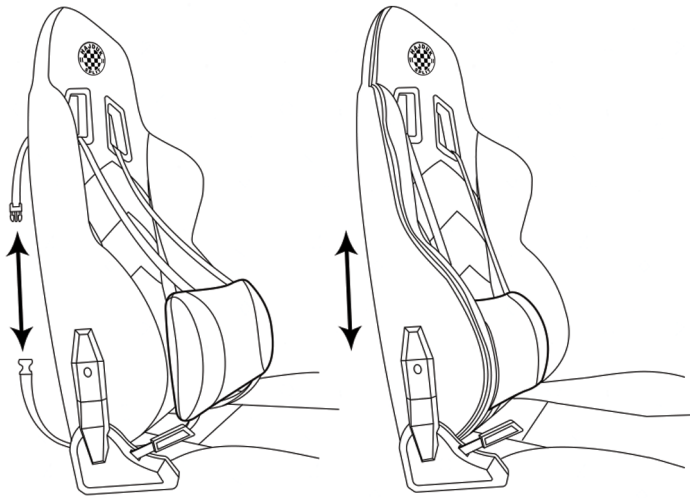


Step 10:

You are almost finished! It is time to take the plastic covers and attach them over the backrest holders as shown in the picture. To fixate the plastic covers use cover screws. After you have successfully fixated the plastic covers use plastic plugs to cover the holes on the backrest covers.

6

UVI Hajduk Chair

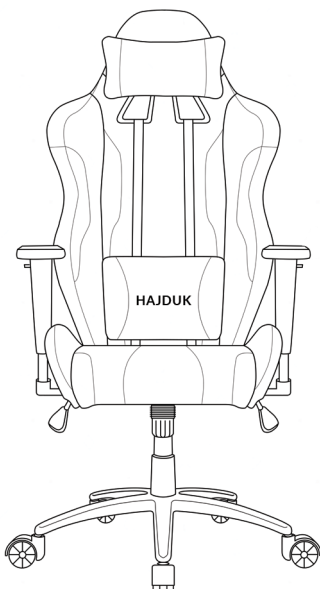
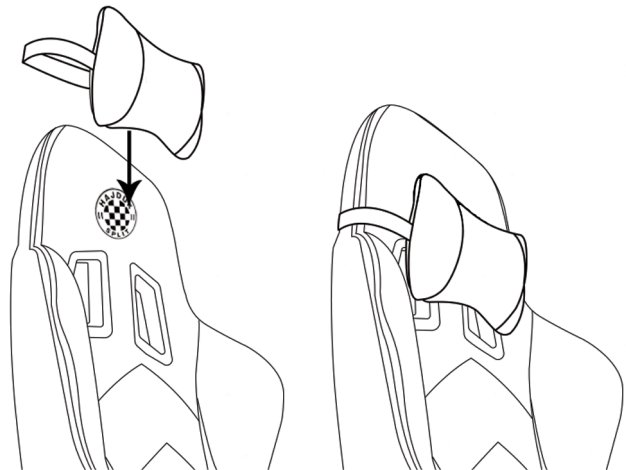


Step 11:

To finalize the assembly you have to attach both lumbar and head support. Start by taking the lumbar support and put the elastics under the backrest and through the holes at the top to connect them at the back of the chair. Once you have attached the lumbar support you can freely adjust it up and down as you wish.

Step 12:

The last step of the assembly is adding the head support pillow to the top of the chair. Just follow the steps in the picture on the right and your assembly will be completed!



CONGRATULATIONS!

You have successfully assembled your UVI Hajduk Chair! We hope that he will serve you well and that you two will have lots of great times together!

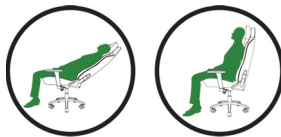
Before you start using the chair please look over our safety information!

SAFETY MEASURES

Before you start using your new UVI chair please go carefully over do and don'ts regarding proper usage of the chair.

We strongly suggest that you carefully follow all restrictions and use UVI Chairs as intended. This way you will be able to prevent any unnecessary injuries to yourself or others.

HOW TO USE UVI HAJDUK CHAIR



HOW NOT TO USE UVI HAJDUK CHAIR



If you have any additional questions regarding your new UVI Chair we suggest you check out our Frequently Asked Questions at [UVI.gg/FAQ](https://uvi.gg/FAQ). If you do not find all of your answers there feel free to contact us via email at info@uvi.gg and we will be more than happy to help you!

We hope that your new UVI Chair will bring you a lot of happiness and joy and wish you best of luck in the future! If you want to stay updated with UVI brand news and promotions please follow our social media accounts as well as our website!

And do not forget to keep your UVI Chair in top shape at all times! If you need more information on how to do that make sure to visit our UVI BLOG or go to uvi.gg/care to find out how to properly take care of your new partner in crime!



Thank you for supporting UVI and HAJDUK 