



UVI Focus

Assembly Guide



You can find assembly guides in other languages at:
[UVI.gg/AG](https://uvi.gg/AG) or via the QR code!



1

UVI Focus Assembly Guide

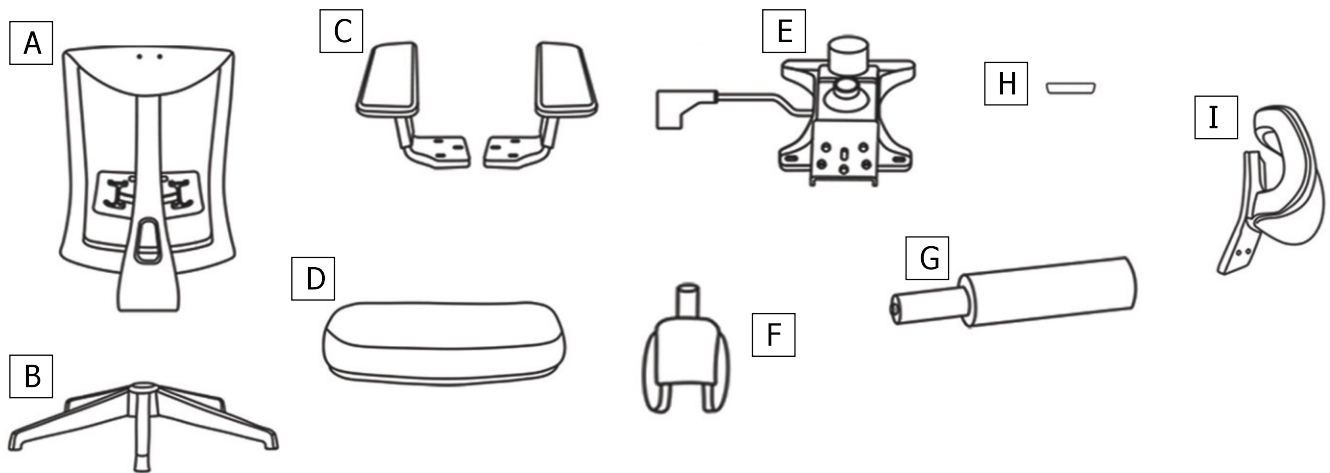
This assembly guide is meant for UVI Focus.

If you have a different model, please check out a different guide!

ATTENTION:

- 1) For proper assembly of the chair, we ask you to follow the instructions step by step.
- 2) Before you start the assembly please verify all parts are present.
- 3) Please refrain from using any other tools for the assembly.
- 4) Do not use the chair unless all of the bolts and screws are tight.

Main Box Contents



A: Backrest

B: Five-star Chair Base

C: Adjustable Armrests

D: Chair Seat

E: Butterfly Mechanism

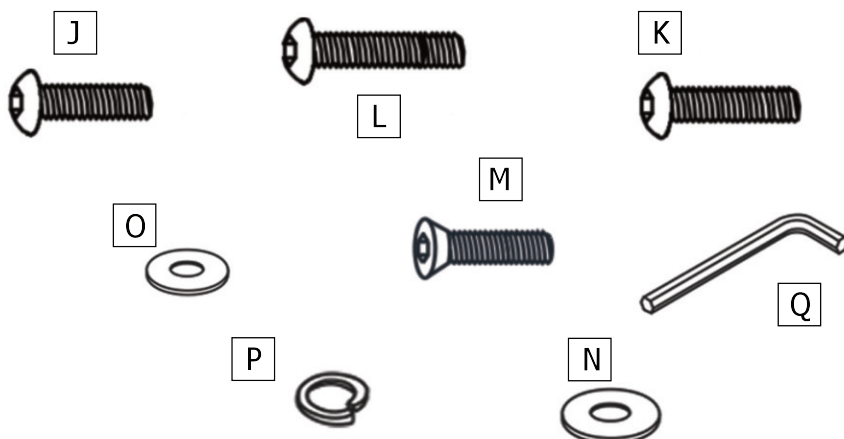
F: 5x UVI Rubber Casters

G: CLASS-3 Gaslift

H: Plastic Cover for Headrest

I: Headrest

Tools and Assembly Parts



J: 8x Bolt (M6x40mm)

K: 2x Bolt (M6x45mm)

L: 3x Bolt (M8x45mm)

M: 2x Bolt (M6x20mm)

N: 7x Washer (M8x17mm)

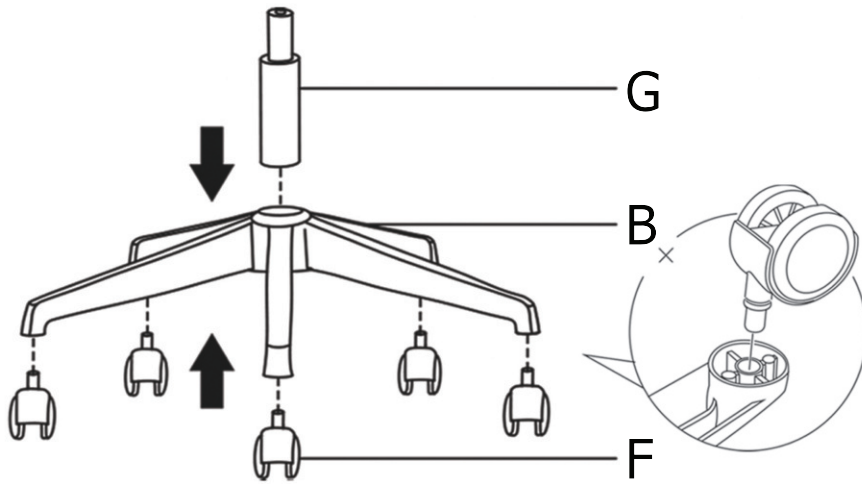
O: 6x Washer (M7x15mm)

P: 3x Lock Washer (M8x13mm)

Q: 2x Allen Wrench

2

UVI Focus Assembly Guide

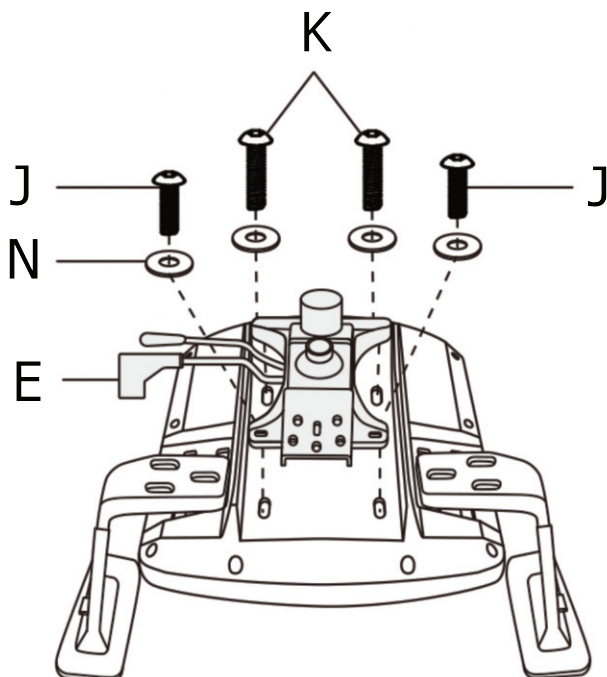
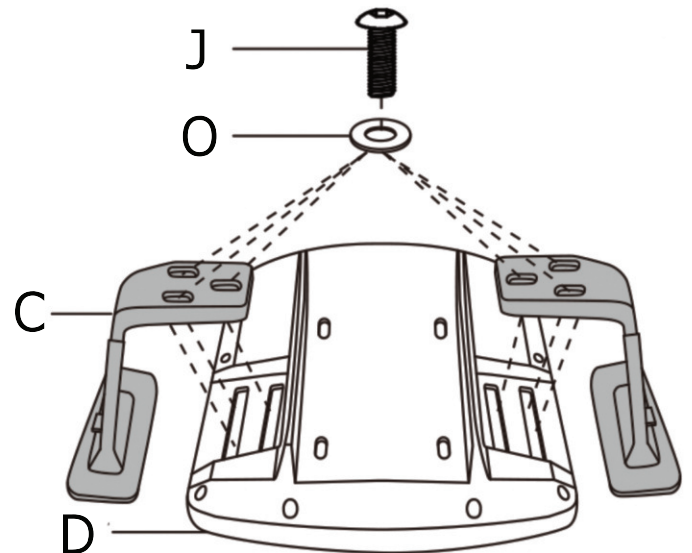


Step 1:

Attach UVI Rubber casters to the five-star chair base. Make sure that you hear a "click" sound when attaching the casters. Insert the CLASS-3 Gaslift into the five-star chair base.

Step 2:

Take the Chair Seat and turn it around. Now attach the Armrests to the Seat Using 3x Bolt [J] and Washers [O] on each side. Make sure that the bolts are screwed tightly.



Step 3:

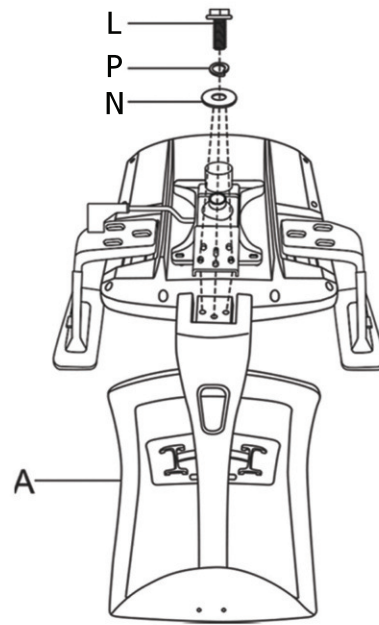
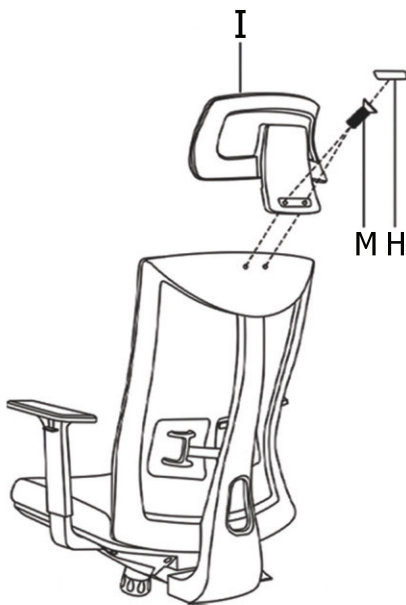
To attach the Butterfly Mechanism you will have to use two different bolts. For the back of the mechanism use 2x Bolt [K] with Washers [N] ; for the front use 2x Bolt [J] and with Washers [N]. Make sure that the nob on the mechanism is facing forward!

3

UVI Focus Assembly Guide

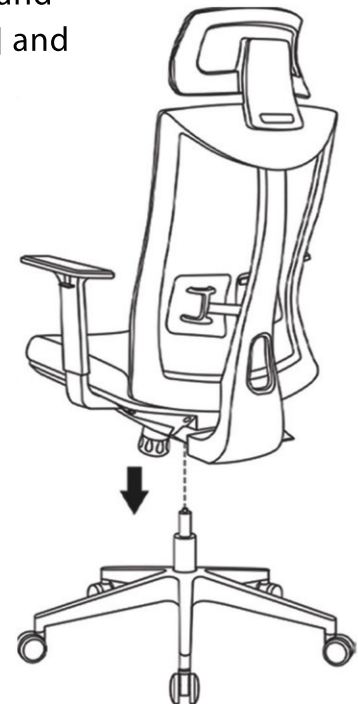
Step 4:

Before moving on to the next step, you need to attach the Backrest to the Chair Seat. Use 3x Bolts [L] and Washers [N] and [P] as shown.



Step 5:

It is time to attach the Headrest to the UVI Seat Backrest. Turn the chair around and attach the Headrest using 2x Bolt [M] and the Headrest Plastic Cover.



Step 6:

Turn the chair around again and attach it to the five-star base together with the Gaslift. Once you have successfully attached both parts together, put some weight on the seat of the chair, to make sure everything is as it should be.

CONGRATULATIONS!

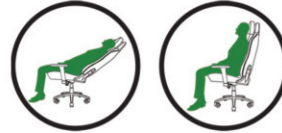
You have successfully assembled your UVI Focus! We hope that he will serve you well and that you two will spend a lot of great time together! Before you start using the chair, please look over our **safety information!**

Safety Measures

Before you start using your new UVI chair, please go carefully over do and don'ts regarding proper usage of the chair.

We strongly suggest that you follow restrictions and use UVI Chairs as intended. This way you will be able to prevent any unnecessary injuries to yourself.

HOW TO USE UVI CHAIR



HOW NOT TO USE UVI CHAIR



If you have any questions regarding your new UVI Chair, we suggest you check out our Frequently Asked Questions at UVI.gg/FAQ. If you do not find all of your answers there, feel free to contact us via email at info@uvi.gg and we will be more than happy to help you!



We hope your new UVI Focus will bring you a lot of happiness and joy and wish you best of luck in the future! If you want to stay updated with UVI brand news and promotions, please follow our social media accounts and website!

And do not forget to keep your UVI Chair in top shape! For more information on that, please visit our official UVI BLOG or visit uvi.gg/care to get all of required information and latest tips.