



# UVI WESLAV

## Assembly Guide



You can find assembly guides in other languages at:  
[UVI.gg/AG](https://uvi.gg/AG) or via the QR code!



# 1

# UVI WESLAV Assembly Guide

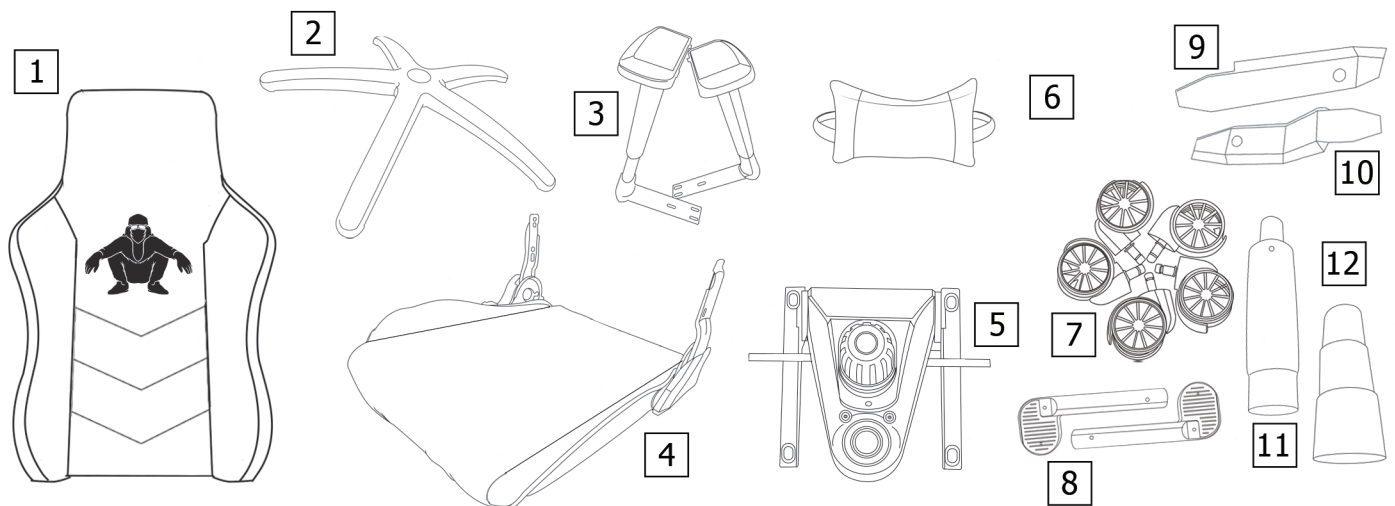
This assembly guide is meant for UVI Chair model Alpha.

If you have a different model please check out the right guide!

## ATTENTION:

- 1) For proper assembly of the chair, we ask you to follow the instructions step by step.
- 2) Before you start the assembly please verify all parts are there.
- 3) Please refrain from using any other tools for the assembly.
- 4) Do not use the chair unless all bolts and screws are tight.

## Main Box Contents

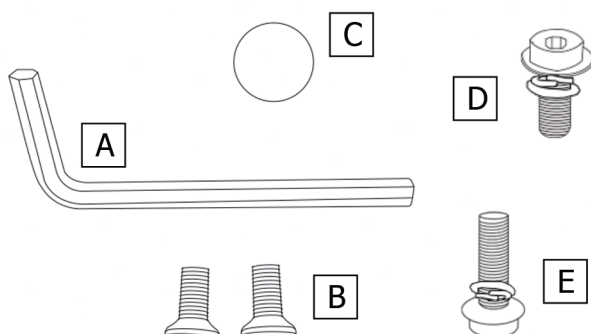


1. UVI Backrest
2. Five-star chair base
3. 3D Armrests
4. UVI Chair seat

5. Multifunctional Mechanism
6. Additional head support
7. 5x UVI Rubber Casters
8. Plastic handles

9. Plastic cover left side
10. Plastic cover right side
11. Gaslift CLASS-4
12. Gaslift plastic cover

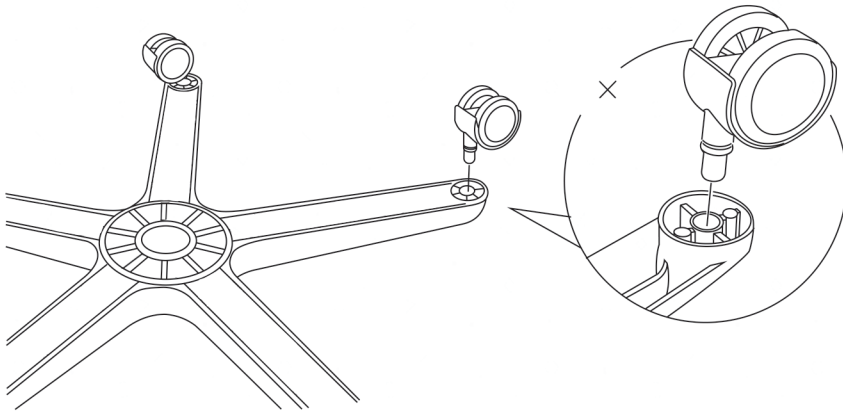
## Tools and assembly parts



- A: Allen wrench  
B: 2x Cover screws M5x10mm  
C: 4x Plastic plugs for the holes  
D: 12x Bolt M8x20 (shorter)  
E: 4x Bolt M8x25 (longer)

# 2

## UVI WESLAV Assembly Guide

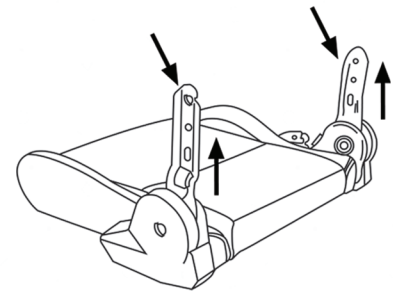
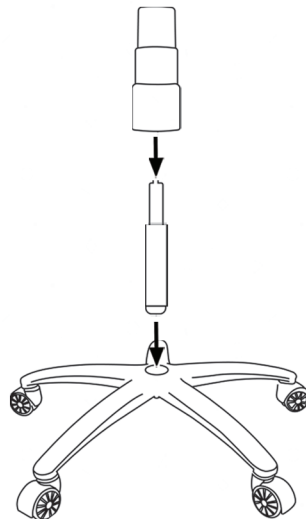


### Step 1:

Attach Rubber Casters to 5-star chair base. Make sure that you hear a “click” sound when attaching the wheel.

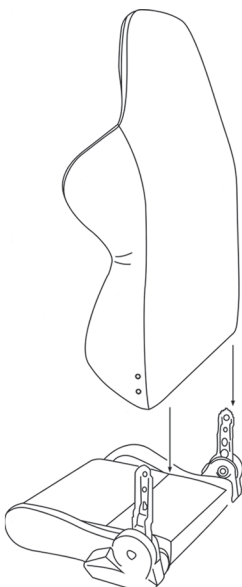
### Step 2:

Insert Gaslift CLASS-4 into 5-star chair base. Once the Gaslift is inside the base put the Gaslift cover plastic over it.



### Step 3:

Take chair seat and place it on top of the cardboard to prevent scratches to the surface. After that make sure that the backrest holders are facing upwards as shown in the picture above.

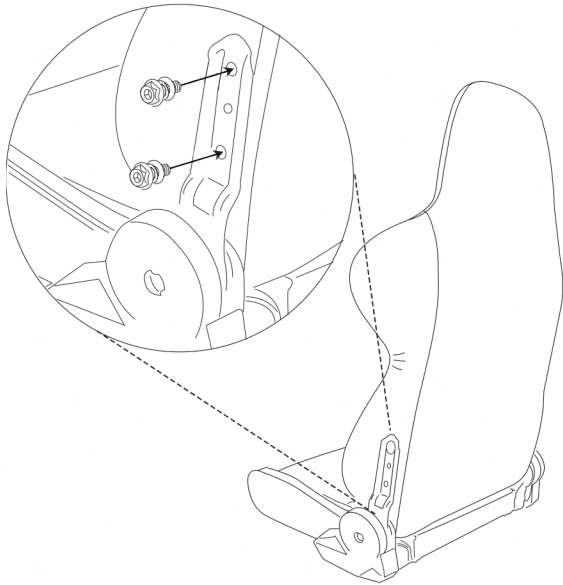


### Step 4:

Now attach the backrest onto the seat. It is much easier to attach it if you have an additional person helping you. Put the backrest between the backseat holder like it is shown in the picture.

# 3

## UVI WESLAV Assembly Guide

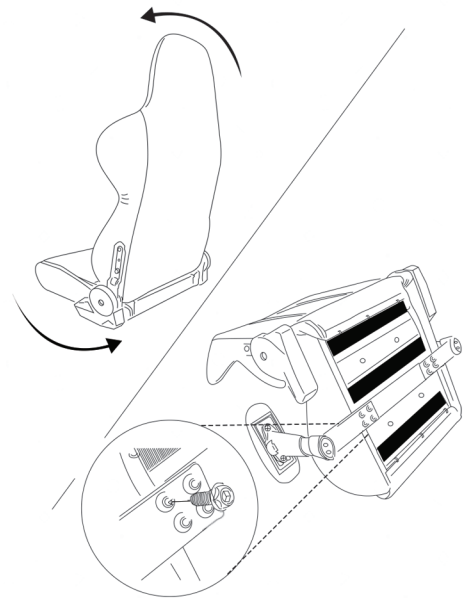


### Step 5:

Attach the backrest onto the chair seat as shown in the picture using Bolt M8X20 (shorter). When attaching the backrest, make sure to first fixate it on the right side. Also, make sure to tighten M8x20 Bolts as much as possible so that the backrest will be stable.

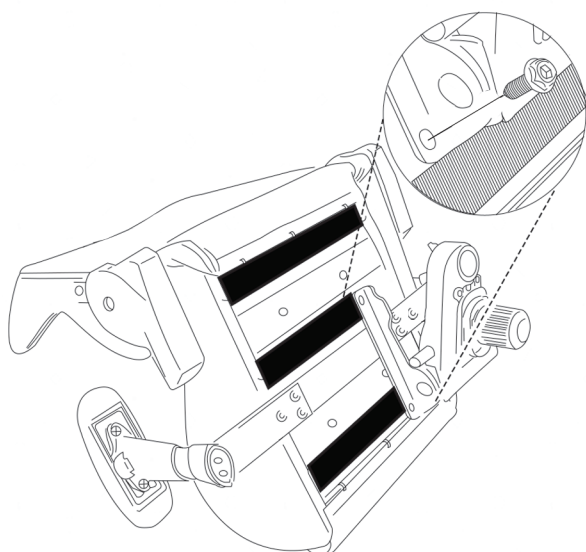
### Step 6:

Once the backrest is successfully attached it is time to flip over the chair as shown in the picture. The next step is attaching the 3D armrests. You will need 4x Bolt M8x20 (short) for each of the armrests. Just like before, do not forget to tighten the bolts as much as possible. Fixate the armrests on the bottom of the seat as shown in the picture.



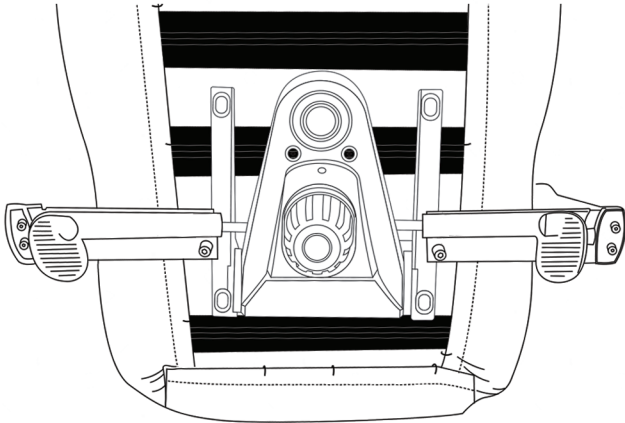
### Step 7:

Once you have successfully attached 3D armrests it is time to attach Multi-functional Mechanism to the seat. Make sure that the mechanism is facing forward (to help you navigate there is a sticker "FRONT" on the mechanism). To fixate the mechanism you will need 4x Bolt M8 X25 (longer). Once again, do not forget to tighten the bolts as much as possible.



# 4

## UVI WESLAV Assembly Guide

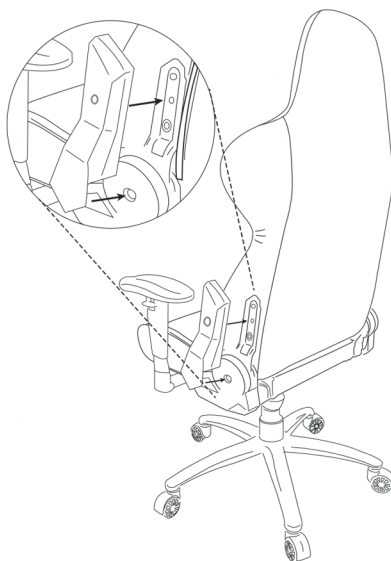
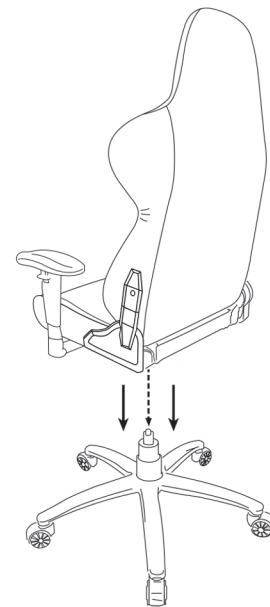


### Step 8:

To make sure that you will be able to use Gaslift and Multifunctional mechanism you will need to attach the plastic handles to the mechanism. Make sure that the levers are facing toward the front of the chair.

### Step 9:

Flip the chair back over and attach it to the 5-star metal base as shown in the picture. Once you have successfully attached both parts together put some weight on the seat of the chair to check if everything is as it should be.

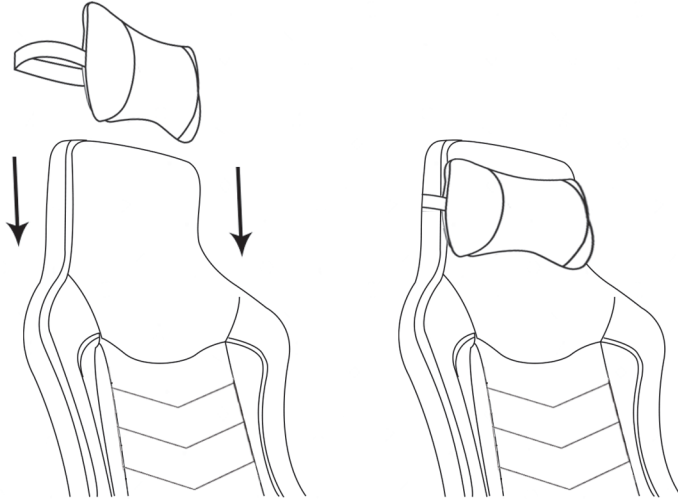


### Step 10:

You are almost finished! It is time to take the plastic covers and attach them over the backrest holders as shown in the picture. To fixate the plastic covers use cover screws. After you have successfully fixated the plastic covers use plastic plugs to cover the holes on the backrest covers.

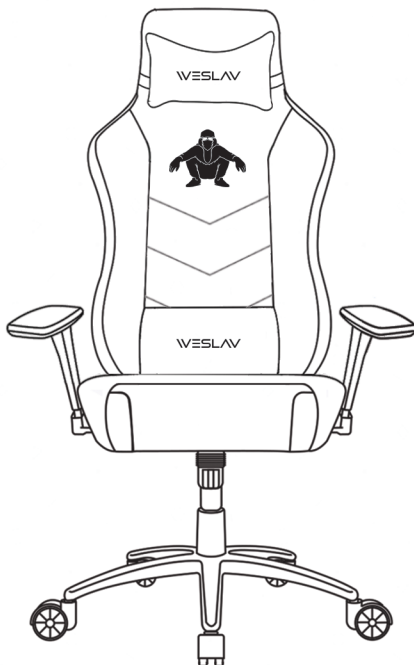
# 5

## UVI WESLAV Assembly Guide



### Step 11:

The last step of the assembly is adding the head support pillow to the top of the chair. Just follow the steps in the picture on the right and your assembly will be completed!



### CONGRATULATIONS!

You have successfully assembled your UVI Chair! We hope that he will serve you well and that you two will have lots of great times together!

Before you start using the chair please look over our **safety information!**

## Safety measures

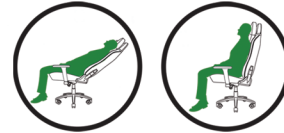
Before you start using your new UVI chair please go carefully over do and don'ts regarding proper usage of the chair.

We strongly suggest that you carefully follow all restrictions and use UVI Chairs as intended. This way you will be able to prevent any unnecessary injuries to yourself or others.

If you have any additional questions regarding your new UVI Chair we suggest you check out our Frequently Asked Questions at [UVI.gg/FAQ](http://UVI.gg/FAQ). If you do not find all of your answers there feel free to contact us via email at [info@uvi.gg](mailto:info@uvi.gg) and we will be more than happy to help you!



### HOW TO USE UVI CHAIR



### HOW NOT TO USE UVI CHAIR



We hope that your new UVI Chair will bring you a lot of happiness and joy and wish you best of luck in the future! If you want to stay updated with UVI brand news and promotions please follow our social media accounts as well as our website!

And do not forget to keep your UVI Chair in top shape at all times! If you need more information on how to do that make sure to visit our UVI BLOG or go to [uvi.gg/care](http://uvi.gg/care) to find out how to properly take care of your new partner in crime!