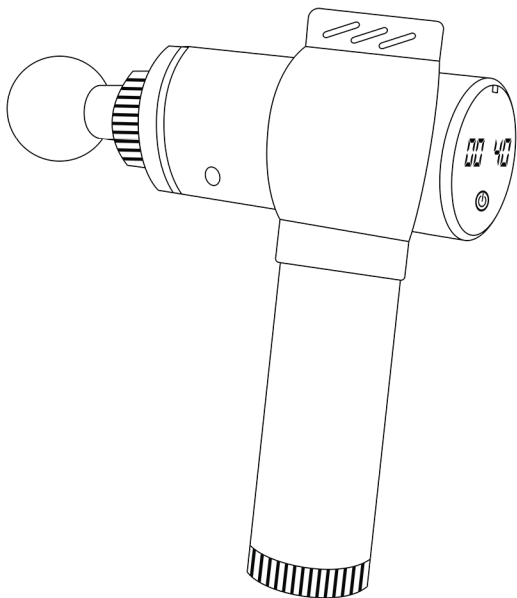




UVI HEALTH



Apollo

Sport massage gun

Important Safety Instructions

When using UVI Apollo, make sure to follow all the instructions and necessary precautions listed in this user manual. UVI Apollo is unlikely to help with chronic pain, but it can have some therapeutic effects when used correctly. However, used in excess or inappropriately, it can cause injury. UVI Apollo should be used in moderation and should not be used for excessive periods.

Please read all safety instructions and warnings before using the product for the first time!



UVI Apollo should only be used on soft tissue areas of the body. Do not use it on any hard or bony areas of the body, including the head.



Do not use in environments with high temperatures or humidity since it could lead to electric shock or fire. If the product overheats, let it cool down for 30 minutes.

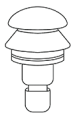
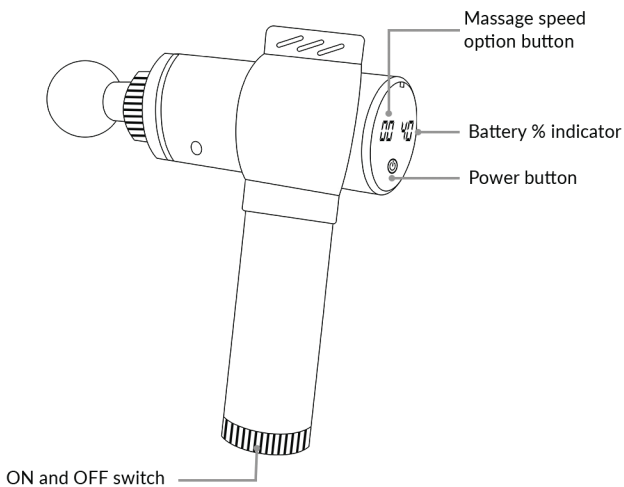


UVI Apollo should not be used by children or people with chronic illnesses, reduced physical, sensory or mental capabilities. Pregnant women should consult a doctor.

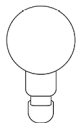


When the product is not in use, please switch the power off. Do not leave the product unattended when charging, and never use the product while sleeping or napping.

What is in the box



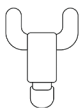
Air plug nozzle



Large ball nozzle



Cylindrical nozzle



U-head nozzle



Flat nozzle



Small ball nozzle

Product Operation Guide

1. Before using UVI Apollo for the first time, make sure to charge it fully. When the LED indicator on the charger changes from RED to GREEN, the unit is fully charged. UVI Apollo takes around 2 hours to charge fully.
2. UVI Apollo can be charged at any time and level. It is not recommended to use UVI Apollo when the battery is at 20% or lower.
3. Six different massage heads come in the box. For more information on when and how to use them, please visit our website at: go.uvi.at/apollo.
4. UVI Apollo has six different speed options from 1800 - 3000 beats per minute. You can see which option is selected on the LED screen at the back of the unit. Always start with the lowest speed setting so your body can adjust to the pressure and then slowly increase it to your liking.

Tips and Warnings

1. When using the product for the first time limit the use to 5 minutes or less, to allow your body to adjust to the experience.
2. UVI Apollo should only be used on dry, clean surfaces of the body by lightly pressing and moving across for approximately 60 seconds per region. The maximum recommended time for using UVI Apollo is 60 minutes. After that, let the product rest for at least 30 minutes.
3. Upon experiencing any pain or discomfort, apart from light muscle soreness, stop using UVI Apollo immediately. Regardless of the pressure settings, bruising can occur. If bruising does occur, you should stop using the product on the bruised area until it is fully healed. Using UVI Apollo on any contusions, rashes, irritated or injured areas of the skin is not advised.
4. UVI Apollo should not be used while charging or while the charger is still plugged in the electrical outlet.

5. UVI Apollo should only be charged with the the original charger that came with the product. Do not charge UVI Apollo overnight.
6. The ventilation holes on UVI Apollo should always be kept free of dust, debris, and/or any other substance that could penetrate the holes, including but not limited to liquids, dirt, sand, or food.
7. UVI Apollo should not be dropped and should never be tampered with or altered in any way.
8. UVI Apollo is not intended for medical use, nor should it be used as a replacement for medical attention. Do not use it for any other purpose other than its intended use. Before using UVI Apollo consults your doctor or physician.

If you encounter any problems do not hesitate to contact us via our email info@uvihealth.com

For additional information and guides for physiotherapy visit go.uvi.at/apollo

