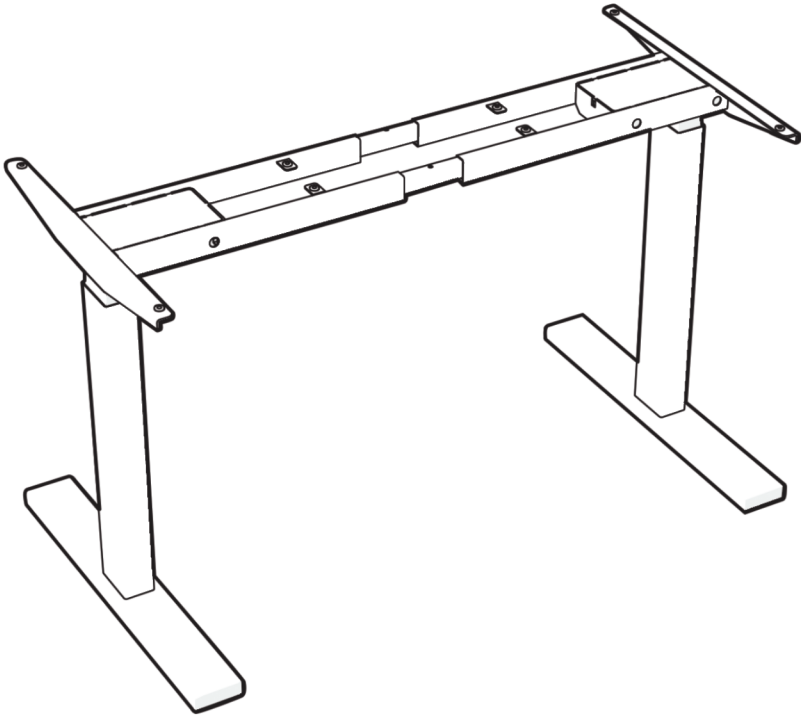




# UVI Standard Sit-Stand Frame

## Assembly Guide




You can find assembly guides in other languages at:  
[UVI.gg/AG](https://uvi.gg/AG) or via the QR code!




# 1


# UVI Standard Sit-Stand Frame

**EN**  Read the entire instruction manual before you start installation and assembly. If you have any questions regarding any of the instructions or warnings, please contact your local distributor for assistance.


- ⚠ CAUTION:** Use with products heavier than the rated weights indicated may result in instability causing possible injury.
- Please closely follow the assembly instructions. Improper installation may result in damage or serious personal injury.
  - Safety gear and proper tools must be used. This product should only be installed by professionals.
  - Ensure that the supporting surface will safely support the combined weight of the equipment and all attached hardware and components.
  - Use the mounting screws provided and DO NOT OVERTIGHTEN mounting screws.
  - This product contains small items that could be a choking hazard if swallowed. Keep these items away from children.
  - This product is intended for indoor use only. Using this product outdoors could lead to product failure and personal injury.
- IMPORTANT:** Ensure that you have received all parts according to the component checklist prior to installation. If any parts are missing or faulty, contact your place of purchase for a replacement.
- MAINTENANCE:** Check that the product is secure and safe to use at regular intervals (at least every three months).

**SLO**  Pred sestavo in montažo preberite celotni vodič za sestavo. Če imate kakršnakoli vprašanja glede navodil ali pa opozoril, prosimo kontaktirajte vašega lokalnega distributerja za pomoč.


- ⚠ PREVIDNO:** Uporaba izdelka z večjimi težami kot pa so predpisane lahko povzroči nestabilnost in resne telesne poškodbe.
- Nosilci morajo biti pritrjeni kot je navedeno v navodilih za sestavo. Nepravilna montaža lahko povzroči škodo ali resno telesno poškodbo.
  - Uporabljen mora biti varnostna zaščita in pravilna orodja. Ta izdelek lahko namesti samo profesionalno osebe.
  - Prepričajte se, da bo podporna površina prenesla vso težo opreme in vso povezano strojno opremo in druge komponente.
  - Uporabite nosilne vijake, ki so že v paketu in vijake NE PRIVIJTE PREVEČ.
  - Izdelek vsebuje majhne predmete, ki lahko predstavljajo nevarnost zadušitve. Držite te predmete stran od otrok.
  - Izdelek je namenjen samo notranji uporabi. Uporaba izdelka zunaj lahko privede do kvrčenja izdelka ali pa do telesne poškodbe.
- POMEMBNO:** Prepričajte se, da ste v paketu prejeli vse dele glede na kontrolni seznam predmetov. Če kakšni deli manjkajo ali pa so poškodovani, stopite v stik z vašim lokalnim distributerjem za zamenjavo.
- VZDRŽEVANJE:** Preverite varnost okvirja v rednih intervalih (vsaj vsake tri mesece).
- Slovenska navodila lahko najdete na spletni strani [UVIDesk.com/AG](http://UVIDesk.com/AG).**

**HR**  Prije montaže pročitajte cjeloviti vodič za montažu. Ako imate bilo kakvih pitanja u vezi s uputama ili upozorenjima se za pomoć obratite lokalnom distributeru.

- ⚠ OPREZ:** Korištenje proizvoda većim od propisane težine može uzrokovati nestabilnost i ozbiljne ozljede.
- Nosaji moraju biti učvršćeni kako je naznačeno u uputama u putama za montažu. Nepravilna montaža može uzrokovati oštećenja ili ozbiljne ozljede.
  - Mora se koristiti sigurnosna zaštita i pravi alati. Ovaj proizvod smije instalirati samo profesionalno osoblje.
  - Osigurajte se, da će nosača površina nositi svu težinu opreme i sav hardver i ostale komponente.
  - Upotrijebite pričvršćne vijake koji su već u pakiranju i vijake ne PRITEGNITE PREVIŠE.
  - Proizvod sadrži male predmete koji mogu predstavljati opasnost od gušenja. Držite te predmete dalje od djece.
  - Ovaj je proizvod namijenjen samo za internu upotrebu. Korištenje proizvoda izvana može dovesti do oštećenja proizvoda ili ozljede.
- VAŽNO:** Provjerite jesu li svi predmeti u pakiranju prema popisu predmeta. Ako neki dijelovi nedostaju ili su oštećeni, obratite se lokalnom distributeru za zamjenu.
- ODRŽAVANJE:** Provjerite sigurnost okvira u redovitim intervalima (najmanje svaka tri mjeseca).
- Hrvatske upute možete pronaći na web stranici [UVIDesk.com/AG](http://UVIDesk.com/AG).**

**DE**  Bitte vor Beginn der Montage und Zusammenbau das ganze Handbuch durchlesen. Bitte sich mit dem Händler vor Ort bei Fragen zur Anleitung oder Warnungen in Verbindung setzen.

- ⚠ VORSICHT:** Bei Verwendung mit Produkten, die das zulässige Gewicht überschreiten, können Schaden oder möglicherweise Verletzungen die Folge sein.
- Halterungen sollen entsprechend den Montageanweisungen angebracht werden. Eine unsachgemäße Montage kann Schäden oder Verletzungen zur Folge haben.
  - Sicherheitsausrüstung und geeignete Werkzeuge verwenden. Die Montage des Produktes sollte nur von Fachleuten durchgeführt werden.
  - Die tragenden Oberflächen sollten das gesamte Gewicht von Geräten und allen zusätzlichen Bauteilen sicher aushalten können.
  - Nur die mitgelieferten Einbauschrauben verwenden und die Schrauben NIGHT ZU FEST ANZIEHEN.
  - Dieses Produkt enthält Kleinteile, die Erststckungsgefahr beim Verschlucken hervorrufen können. Diese Teile von Kindern fernhalten.
  - Dieses Produkt nur in Innenräumen verwenden. Verwendung des Produktes im Außenbereich kann zu Verletzungen und Schäden führen.
- WICHTIG:** Vor der Montage bitte alle erhaltenen Bauteile mit der Bauteileliste abgleichen. Bei beschädigten oder fehlenden Teilen den Händler vor Ort nach Ersatzteilen fragen.
- WARTUNG:** Die Haltemngsklammer regelmäßig auf Sicherheit und Stabilität prüfen (am besten alle drei Monate).

**FR**  Lisez entièrement le guide d'utilisateur avant de commencer l'installation et le montage. Si vous avez des questions concernant les instructions ou les avertissements, veuillez contacter votre distributeur local pour une assistance.

- ⚠ ATTENTION:** L'utilisation de produits plus lourds que les poids nominaux indiqués peut entraîner une instabilité causant des blessures potentielles.
- Les supports doivent être joints comme spécifié dans les instructions de montage. Une mauvaise installation peut entraîner des dommages ou de graves blessures aux personnes.
  - Un équipement de sécurité et les outils appropriés doivent être utilisés. Ce produit devrait être installé uniquement par des professionnels.
  - Assurez-vous que la surface de soutien supporte en sécurité le poids combiné de l'équipement et de tous les matériaux et composants associés.
  - Utilisez les vis de montage fournies et NE SERREZ PAS TROP LES vis de montage.
  - Ce produit contient de petites pièces qui peuvent causer un étouffement si elles sont avalées. Éloignez ces pièces des enfants.
  - Ce produit est prévu uniquement pour une utilisation à l'intérieur. L'utilisation de ce produit à l'extérieur peut entraîner une défaillance du produit ou des blessures aux personnes.

**IMPORTANT:** Avant l'installation, assurez-vous que vous avez reçu toutes les pièces selon la liste de vérification des composants. Si une pièce est manquante ou endommagée, téléphonez à votre distributeur local pour qu'il la remplace.

**MAINTENANCE:** A intervalles réguliers (au moins tous les trois mois) vérifiez que le support est d'utilisation sûre et fiable.

## Preface

This electric height adjustable standing desk consists of a heavy-duty steel desk frame and a motorized height adjustment system. Please read and thoroughly understand this manual before installation in order to make sure the safe and correct use of the system and maintain the longevity of the overall construction and the built-in electronics.

## Instructions of Safety and Warnings:

- Any failure to comply with the safety and installation instructions in this manual may cause serious bodily injury.
- Any incomplete observation of the instructions, warnings and additional information marked with the "Note" may result in serious damage to the system or its components.
- This product can be used by children aged 8 years and above if they have been given supervision or instruction concerning the use of the appliance in a safe way and understand the hazards involved. Children should not play with the product. Cleaning and user maintenance should not be made by children without supervision. Unplug the desk when the system isn't in use, and place the power plug out of children reach.
- People with reduced physical, mental abilities and or lack of experience and knowledge must not use the product unless they're under supervision, understand the hazards involved or have been thoroughly instructed in the use of the apparatus by a person who is responsible for the safety of these persons.
- Users should make sure that they never sit on the desktop in order to prevent serious bodily injury.

## Electrical Safety Instructions:

The product is powered by electricity. In order to avoid burns, fire and electric shock, please read the instructions carefully.



Don't clean the product with water while the power is still connected.



Never operate the system if it's in moist environment or its electrical components have contact with liquids.



Don't disassemble or replace components while the power is still connected.



Don't operate the system if the control box makes noise or odor. Alterations of the given power unit and control box aren't allowed.



Never operate the system with a damaged cord or plug. Please contact your point of purchase to replace the damaged parts.

## Other Safety Instructions:

- Clear up all obstacles within the height adjustment range.
- Don't leave the cords or plug unorganized in order to prevent tripping hazards.
- Any attempts to reconstruct the desk frame aren't allowed.
- Don't add anything to the adjustable junctions of the desk frame.
- Outdoor use is prohibited.

# 3

## UVI Standard Sit-Stand Frame

### Preparation

- 1 What are the specifications you need to know?



Weight capacity  
100kg



Power Input  
100-240V



Operation temperature  
-5°C - +40°C

- 2 What are the tools you require for the installation?



Bubble level



Allen Wrench  
(included)

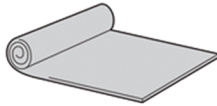


Drill



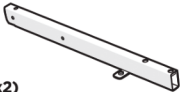
Phillips Screwdriver

- 3 What's the thing you'd better have before installation?

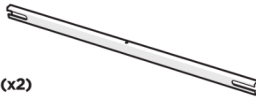


A Shipping Blanket to protect the deck and the floor

### Checklist and Installation



**A (x2)**  
Crossbar Piece



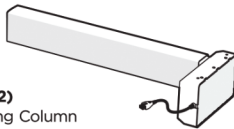
**B (x2)**  
Inner Center Crossbar



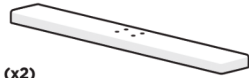
**C (x2)**  
Crossbar Piece



**D (x2)**  
Side Bracket



**E (x2)**  
Lifting Column



**F (x2)**  
Foot



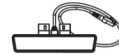
**G (x1)**  
Control Box



**H (x1)**  
Extension Cord



**I (x1)**  
Power Cord



**J (x1)**  
Controller  
*The picture of the controller is for your reference only. Actual product may vary.*



**S-A (x20)**  
M6x12  
Hex Head Screw



**S-B (x2)**  
ST4.2x16  
Phillips Head Screw



**S-C (x5)**  
ST3.5x12  
Phillips Head Screw



**S-D (x8)**  
ST4.8x16  
Phillips Head Screw



**S-E (x8)**  
Hexagon Socket  
Set Screw



**S-F (x3)**  
Cable Clip



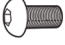
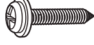





**S-G (x1)**  
5mm  
Allen Wrench



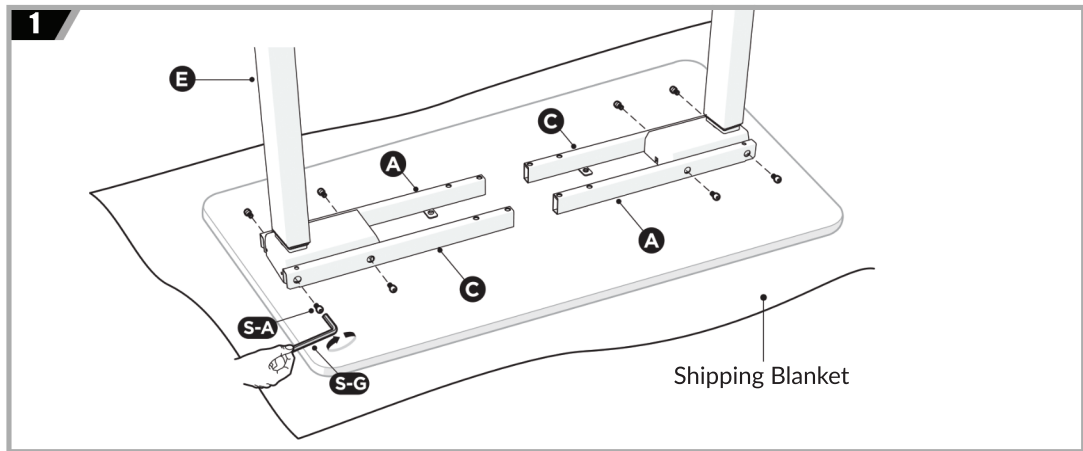
# 4

## UVI Standard Sit-Stand Frame

### Attaching Side Brackets

|  |  |  |
|--|--|--|
| <br>S-A (x20)<br>Hex Head Screw     | <br>S-B (x20)<br>Phillips Head Screw + 1 Spacer | <br>S-C (x2)<br>Phillips Head Screw |
| <br>S-D (x6)<br>Phillips Head Screw | <br>S-E (x3)<br>Cable Clip                      | <br>S-F (x8)<br>Rubber Pad          |
| <br>S-G (x1)<br>Allen Wrench        |  |  |

### Now let's begin the installation Attaching Side Brackets



### Attaching the Lifting Columns

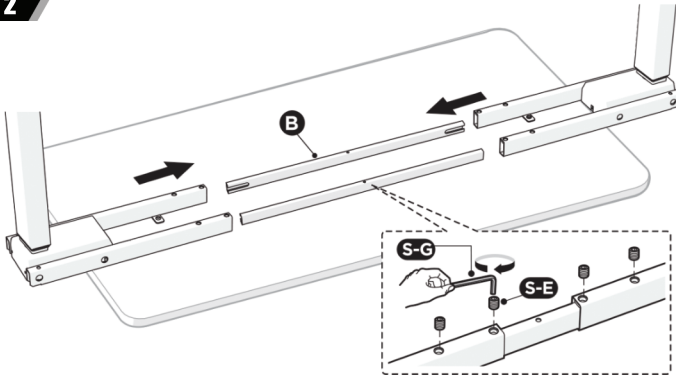
- Carefully place crossbar pieces **A/C** upside down on the blanket/floor.
- Insert one **lifting column E** into one end of the crossbar with the head of the lifting column facing inward.
- Attach the lifting column to the crossbar and side bracket using **4 M6x12 screws S-A**.
- Repeat the same process to attach the other lifting column.

# 5

## UVI Standard Sit-Stand Frame

### Adjusting the frame

2

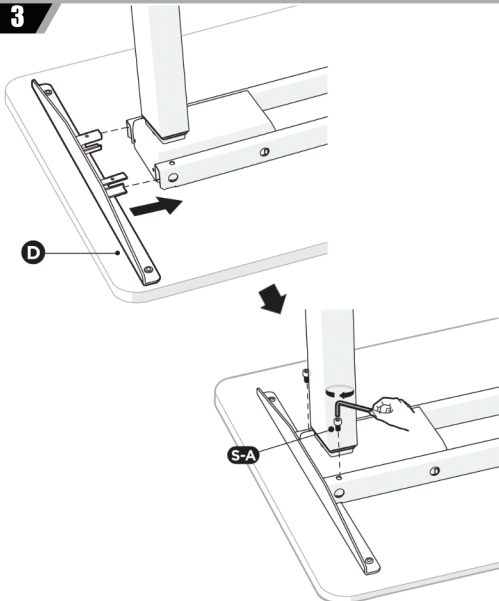


Insert the **Center Crossbar B** into both **crossbar pieces A/C**.

Adjust the crossbar to the size of the desktop. Ensure that the frame is placed in the center of the desktop.

Insert and tighten **8 screws S-E**.

3

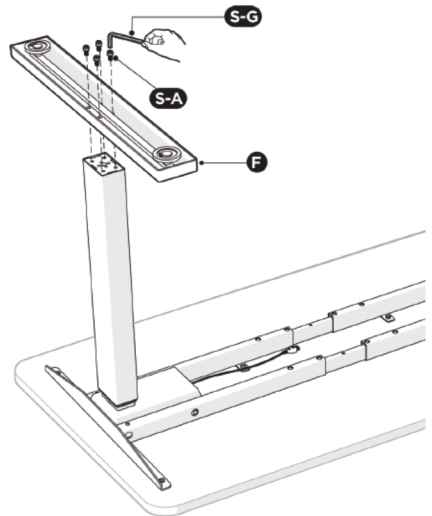


Insert the **side bracket D** to each end of the crossbar as show in the illustration.

Fix each side bracket with crossbar using **2 M6x12 screws S-A**.

Repeat the same process to attach the otherside bracket.

4



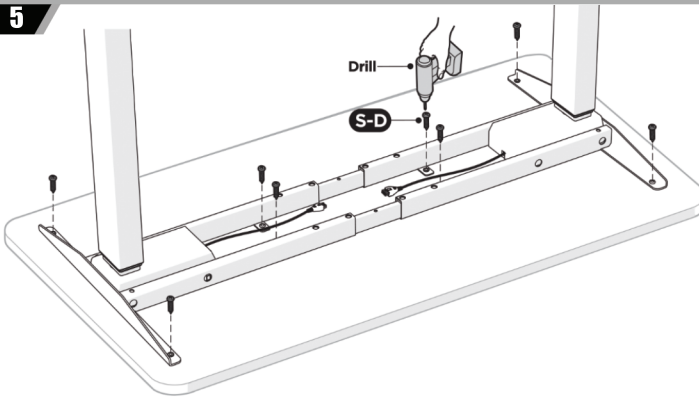
Attaching the **foot F** to the lifting column using **4 M6x12 screws S-A**

Repeat the same process to attach the other foot.

# 6

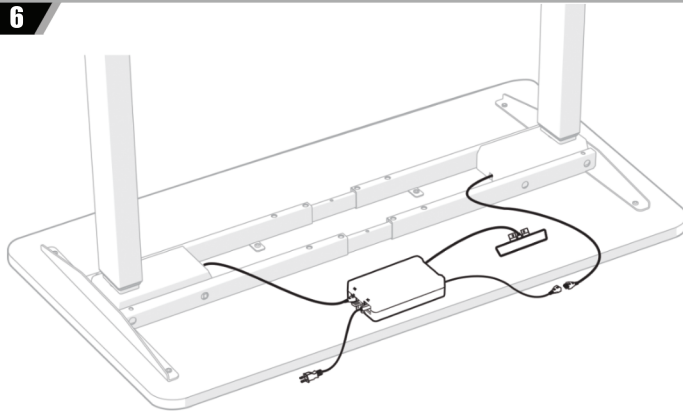
## UVI Standard Sit-Stand Frame

5



Attach the assembled desk frame to the desktop through the mounting holes found on the side brackets and crossbar as show in the illustration using **8 ST4.8x16 screws S-D**.

6



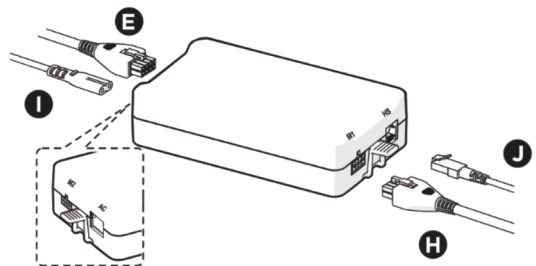
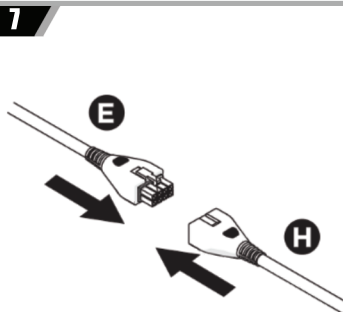
Insert the 2 motor cords into the ports marked **M1** and **M2**. Use the **extension cable H** to extend the motor cord.

Insert **controller J** cord into the port marked **HS**.

Insert the **power cord I** into the port marked **AC**.

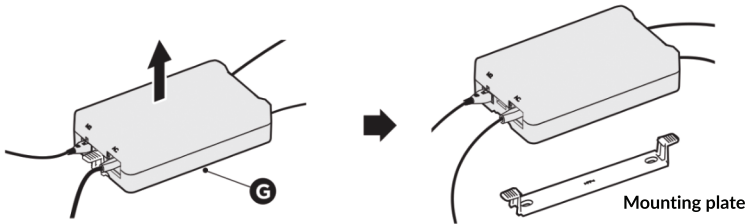
*Note: Do not plug into power before the desk is fully assembled.*

7

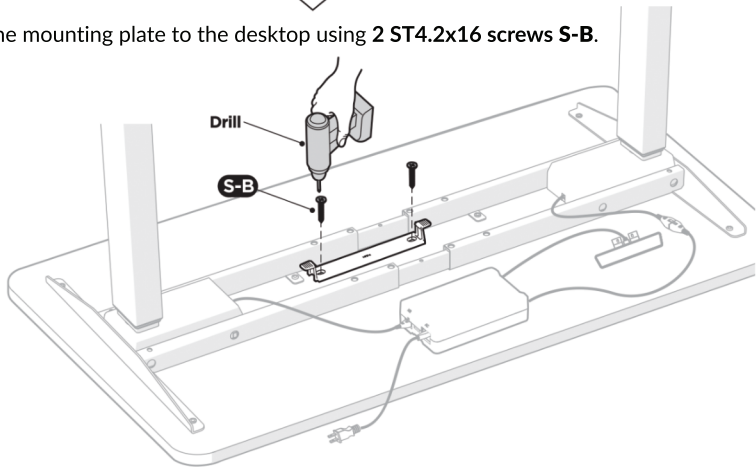


8

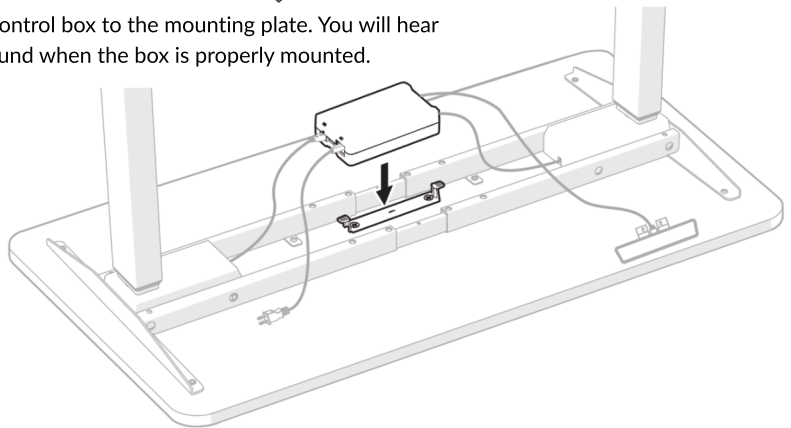
Remove the **control box G** from the mounting plate as shown.



Attach the mounting plate to the desktop using 2 ST4.2x16 screws S-B.



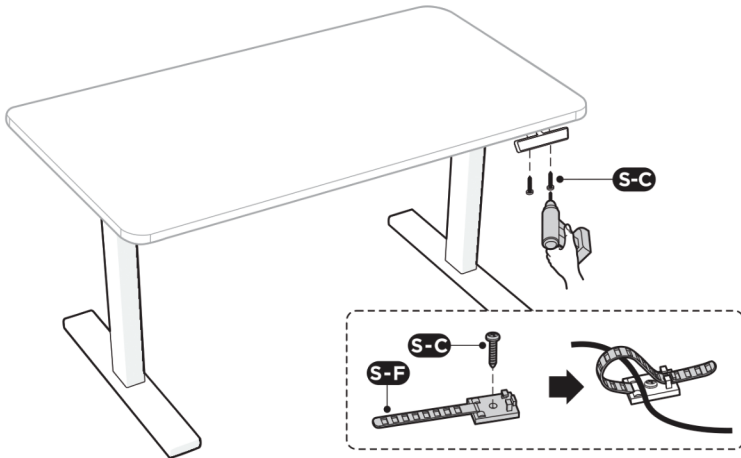
Attach the control box to the mounting plate. You will hear a clicking sound when the box is properly mounted.



# 8

## UVI Standard Sit-Stand Frame

9

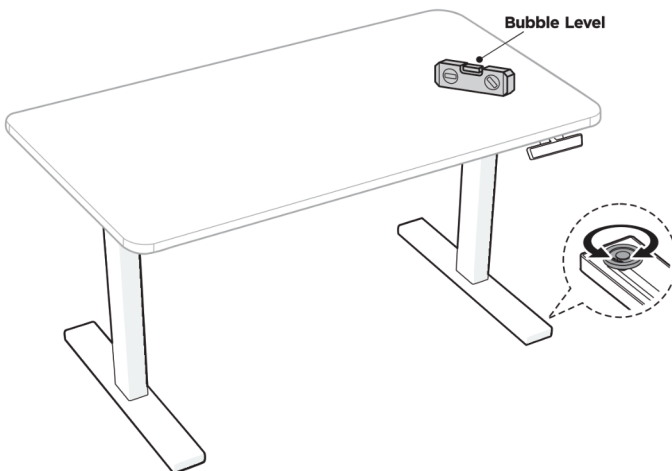


Turn over the desk with the help of another person.  
Attach the controller to the desktop with **2 ST3.5x12 screws S-C**.  
Run the cables through the **clip S-F** and attach the cable clips to the desktop with **ST3.5x12 screws S-C** to ensure a clean and neat surface.

### ⚠ CAUTION:

*At least two people are required to turn over the desk to prevent injuries.*

10



There are two adjustable foot pads under each foot. If the floor is not even, simply turn the pads to adjust the level to make the desk stable.\*

When using the desk for the first time you will need to reset the system. Please refer to the **Controller User Guide** for more information.

*\*Tip: Use a bubble level to check if the table is even.*